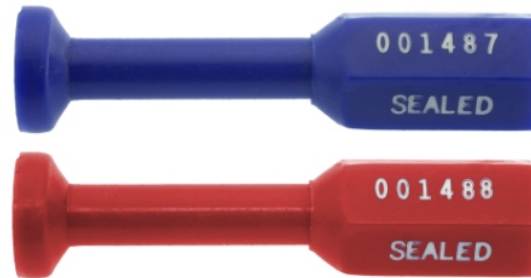
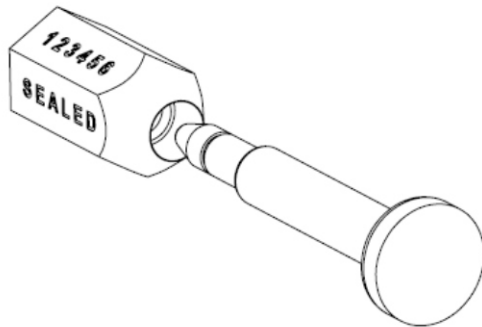
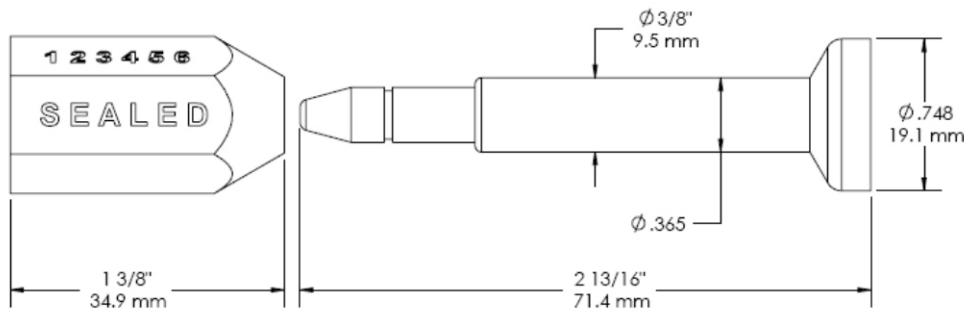
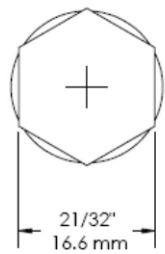


Model: PBLT-1 Heavy Duty Bolt Lock Plastic Coated Steel



Available as...

- **STANDARD ITEM FROM STOCK:**
Pre-Printed / Pre-Numbered
- **CUSTOM ORDERED ITEM**
Printed & Numbered

DESCRIPTION:

AC&M's PBLT-1 Heavy Duty Bolt Locks, serves many types of uses. Plastic-covered steel bolt lock. High security. Various colors available.

PRINTING:

AC&M's Heavy Duty Bolt Locks are supplied hot-stamped printed. One line up to 11 characters plus consecutive numbers up to 6 digits.

PACKAGING:

- 200 Seals to a carton.

Cartons containing 200 seals measure: 16" x 10" x 5" and weigh 48 Lbs. 40.6cm x 25.4cm x 12.7cm and weigh 21.78 kg.

USE:

Self locking and must be removed by bolt cutters. Insert bolt into head until seal clicks. Pull back to test.

*Custom Printing is available —
Contact AC&M for details.*

AC&M

American Casting
& Manufacturing Corporation

Toll-Free (800)342-0333

Tel: (516) 349-7010 • Fax (516) 349-8389

email: info@AmericanCasting.com

51 Commercial St · Plainview, NY 11803 USA

www.AmericanCasting.com