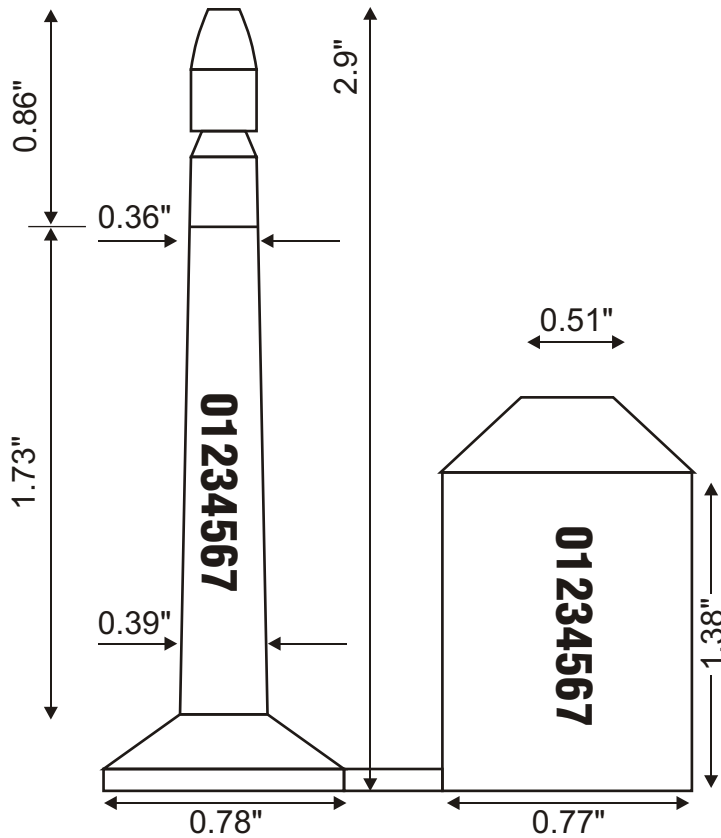


Model: IPBLT-3H
Match Numbered
Heavy Duty Bolt Lock

Available as...

- **STANDARD ITEM FROM STOCK:**
Pre-Numbered
- **CUSTOM ORDERED ITEM**
Printed & Numbered



DESCRIPTION:

AC&M's IPBLT-3H High Security Bolt Seal is C-TPAT ISO / PAS 17712 compliant and meets US Custom and Border container seal requirements. The high-security steel inner core is completely encapsulated in a tough, tamper-evident and numbered polymer shell.

PRINTING:

Stock numbered in matched, sequential 8 digit numbers.
 Printing to 20 characters on custom orders.

PACKAGING:

- 250 Seals to a carton
- Weight 106 lbs (48 Kg) per 1,000
- Carton Size: 16.5" x 11" x 6" (42 x 28 x 15 cm)

USE:

Self locking and must be removed by bolt cutters. Insert bolt into head until seal clicks. Pull back to test.

Custom Printing is available —
Contact AC&M for details.



American Casting
 & Manufacturing Corporation

Toll-Free (800)342-0333

Tel: (516) 349-7010 • Fax (516) 349-8389
 email: info@AmericanCasting.com

51 Commercial St · Plainview, NY 11803 USA

www.AmericanCasting.com