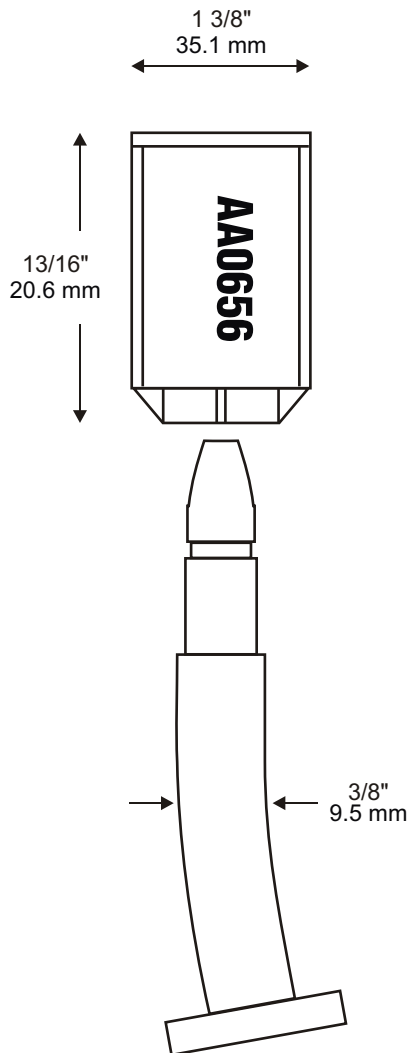


Model: IPBLT-2 Heavy Duty Bent Bolt Lock

Available as...

- **STANDARD ITEM FROM STOCK:**
Pre-Printed / Pre-Numbered
- **CUSTOM ORDERED ITEM**
Printed & Numbered



DESCRIPTION:

AC&M's IPBLT-2 Heavy Duty Bent Bolt Lock, serves many types of uses. High-security bolt lock with steel pin and plastic barrel. Available only in red. These seals are the number one choice for economy and durability.

SEAL COLORS:

Available only in red.

PRINTING:

AC&M's Heavy Duty Bent Bolt Locks are supplied hot-stamped printed. Sealed stock number.

PACKAGING:

- 200 Seals to a carton.

Cartons containing 200 seals measure:
10" x 8" x 4" and weigh 40 Lbs.
25.4cm x 20.3cm x 10.1cm and weigh 18.14 kg.

USE:

Self locking. Must be removed by bolt cutters.

*Custom Printing is available —
Contact AC&M for details.*

AC&M

American Casting
& Manufacturing Corporation

Toll-Free (800)342-0333

Tel: (516) 349-7010 • Fax (516) 349-8389
email: info@AmericanCasting.com

51 Commercial St · Plainview, NY 11803 USA

www.AmericanCasting.com