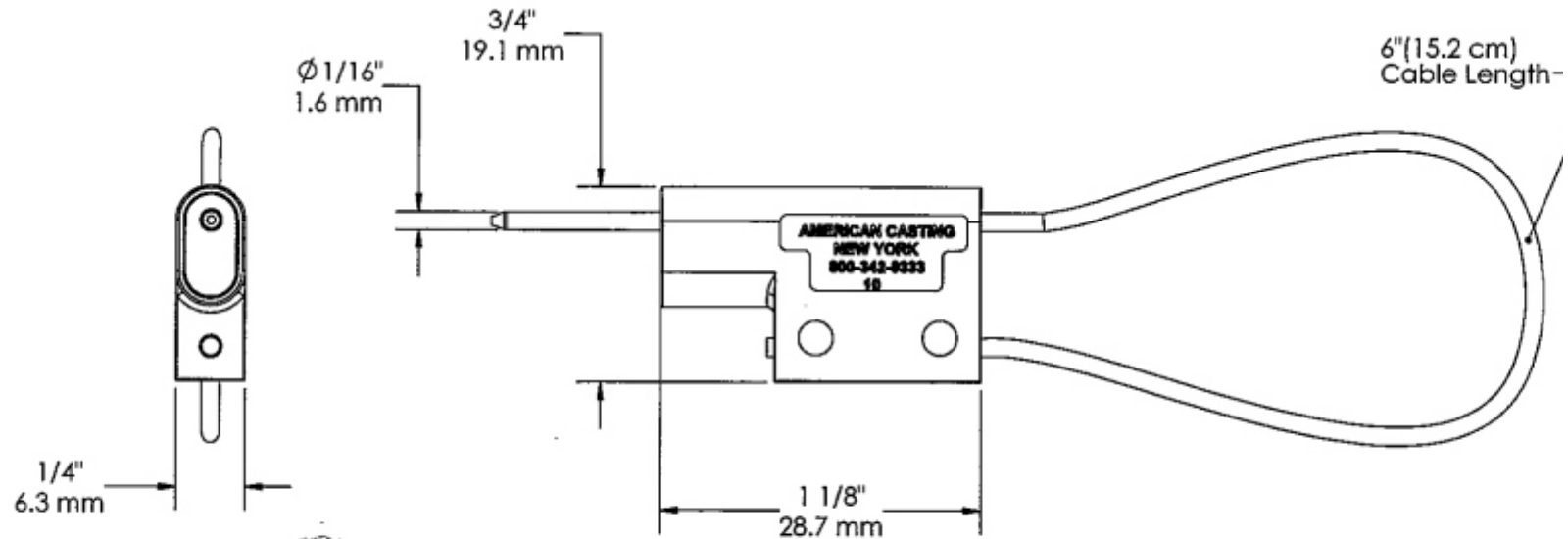


## Model: CL-99-6 Cable Seal

- STANDARD ITEM FROM STOCK:  
Pre-Printed / Pre-Numbered
- CUSTOM ORDERED ITEM  
Printed & Numbered



# AC&M

**American Casting**  
& Manufacturing Corporation

**Toll-Free (800)342-0333**

Tel: (516) 349-7010 • Fax (516) 349-8389

email: [info@AmericanCasting.com](mailto:info@AmericanCasting.com)

51 Commercial St · Plainview, NY 11803 USA

*Custom Printing is available —  
Contact AC&M for details.*

[www.AmericanCasting.com](http://www.AmericanCasting.com)

### DESCRIPTION:

AC&M's CL-99-6 Cable Seals, serves many types of uses. Heavy-duty adjustable cable seal for cargo doors, lids, drums, containers with 6" x 1/16" (15.2 cm x 1.6 mm) diameter adjustable cable.

### PRINTING:

Imprinting available for Cable Seals. One line up to 8 spaces plus one line of consecutive numbers up to 7 digits.

### PACKAGING:

- 100 Seals to a poly bag.
- 1,000 Seals to a carton.

Cartons containing 1,000 seals measure: 18" x 12" x 8" and weigh 35 Lbs. 45.7cm x 30.4cm x 20.3cm and weigh 15.8 kg.

### USE:

Pull up tight by hand and remove with cable cutter.