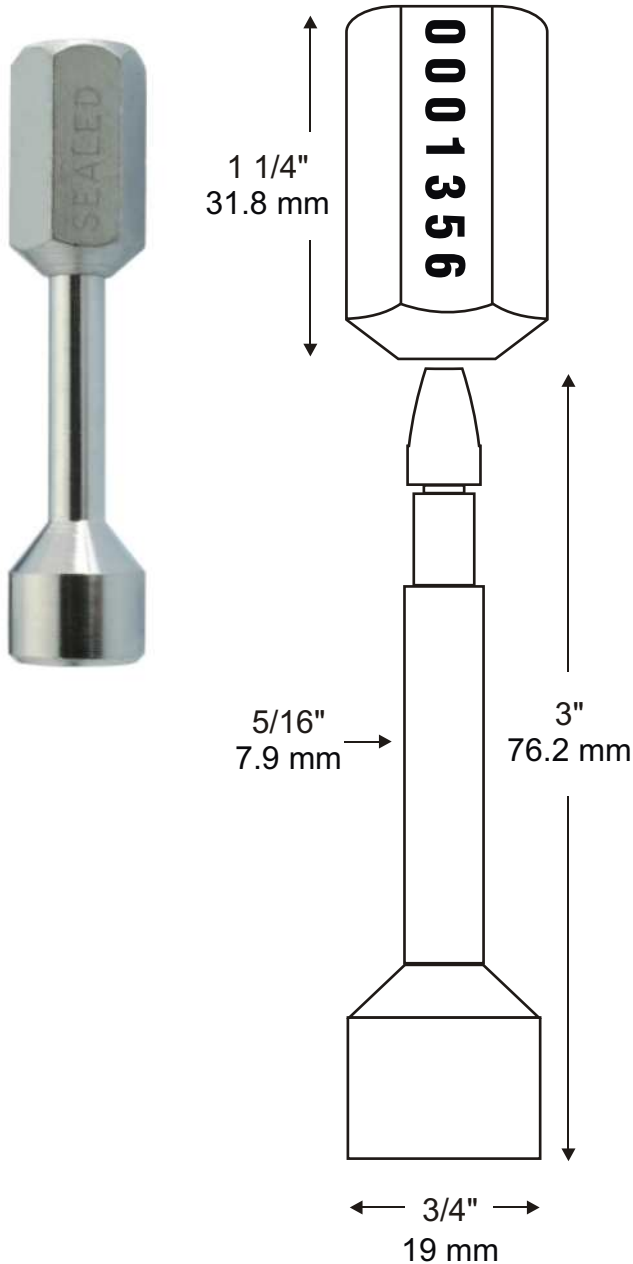


Model: BLT-1 Heavy Duty Bolt Lock

Available as...

- STANDARD ITEM FROM STOCK:
Pre-Printed / Pre-Numbered
- CUSTOM ORDERED ITEM
Printed & Numbered



DESCRIPTION:

AC&M's BLT-1 Heavy Duty Bolt Locks, serves many types of uses. High-security bolt seal for trucks and cargo containers.

BREAKING STRENGTH:

+2,500 Lbs. / +1,134 Kg.

PRINTING:

One line with 8 letters plus consecutive numbers up to 6 digits.

PACKAGING:

- 200 Seals to a carton.

Cartons containing 200 seals measure:
16" x 10" x 5" and weigh 48 Lbs.
40.6cm x 25.4cm x 12.7cm and weigh 21.8 kg.

USE:

Self locking and must be removed by bolt cutters. Insert bolt into head until seal clicks. Pull back to test.

*Custom Printing is available —
Contact AC&M for details.*



American Casting
& Manufacturing Corporation

Toll-Free (800)342-0333

Tel: (516) 349-7010 • Fax (516) 349-8389
email: info@AmericanCasting.com

51 Commercial St · Plainview, NY 11803 USA

www.AmericanCasting.com