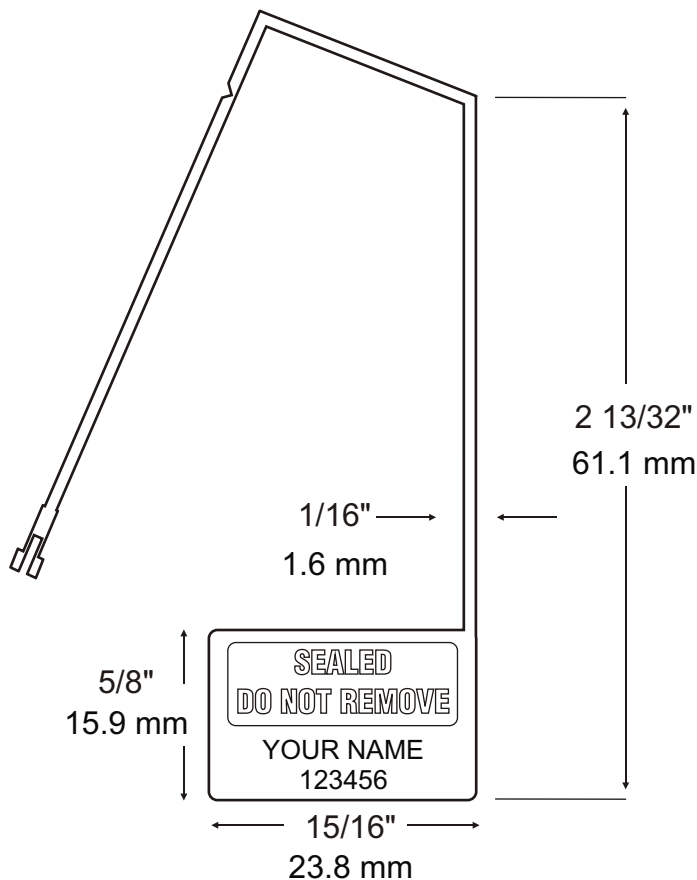


# Model: 1001LH Plastic Padlock

Available as...

- **STANDARD ITEM FROM STOCK:**  
Pre-Printed / Pre-Numbered
- **CUSTOM ORDERED ITEM**  
Printed & Numbered



## DESCRIPTION:

AC&M's 1001LH multi-purpose acetal copolymer plastic padlock seal will fit any opening larger than 1/8" (3.2 mm) diameter. Requires no tools to apply. Notched hasp for easy removal by hand.

## BREAKING STRENGTH:

25 lbs (11.3 kg)

## PRINTING:

Supplied hot-stamped printed.  
Two lines of printing (11 spaces per line) or 1 line of print and 1 line consecutive numbers (6 digits).

## PACKAGING:

Weight per 1,000: 3 lbs (1.4 kg)  
Pack Size:  
1,000: 8" x 8" x 5" (20.3 x 20.3 x 12.7 cm)  
5,000: 16" x 12" x 10" (40.6 x 30.5 x 25.4 cm)  
Standard: 1,000 per carton  
Optional: 100 per bag

## USE:

Slide the hasp into the locking device until it clicks. Pull back to ensure lock is engaged. Cannot be opened unless the seal is broken.

## COLORS:

Available in all colors  
Assorted colors - mix packs  
Custom colors (call)

*Custom Printing is available —  
Contact AC&M for details.*



**American Casting**  
& Manufacturing Corporation

**Toll-Free (800)342-0333**

Tel: (516) 349-7010 • Fax (516) 349-8389  
email: [info@AmericanCasting.com](mailto:info@AmericanCasting.com)

51 Commercial St • Plainview, NY 11803 USA

[www.AmericanCasting.com](http://www.AmericanCasting.com)